

3/4" Snap Disc Limit Controls

Model Number	Opens (°F)	Closes (°F)	Function	Therm-o-Disc	
				Style	Type
3L01-120	120 ± 5°F	110 ± 5°F	Open on Rise	60T11	610000
3L01-130	130 ± 5°F	115 ± 5°F	Open on Rise	60T11	610002
3L01-140	140 ± 5°F	100 ± 7°F	Open on Rise	60T11	610006
3L01-150	150 ± 5°F	110 ± 7°F	Open on Rise	60T11	610009
3L01-165	165 ± 5°F	125 ± 10°F	Open on Rise	60T11	610009
3L01-170	170 ± 5°F	130 ± 7°F	Open on Rise	60T11	610012
3L01-180	180 ± 5°F	140 ± 7°F	Open on Rise	60T11	610013
3L01-190	190 ± 5°F	150 ± 7°F	Open on Rise	60T11	610015
3L01-200	200 ± 5°F	160 ± 7°F	Open on Rise	60T11	610016
3L01-230	230 ± 6°F	190 ± 8°F	Open on Rise	60T11	610021
3L01-250	250 ± 6°F	210 ± 8°F	Open on Rise	60T11	610023
3L01-300	300 ± 7°F	250 ± 10°F	Open on Rise	60T11	610026
3L01-350	350 ± 10°F	310 ± 15°F	Open on Rise	60T11	610068



3L01

3/4" Limit Controls - Manual Reset

Model Number	Opens (°F)	Closes (°F)	Function	Therm-o-Disc	
				Style	Type
3L02-160	160 ± 5°F	Manual Reset	Open on Rise	60T15	330534
3L02-170	170 ± 5°F		Open on Rise	60T15	330535
3L02-180	180 ± 5°F		Open on Rise	60T15	330536
3L02-190	190 ± 5°F		Open on Rise	60T15	330537
3L02-200	200 ± 5°F		Open on Rise	60T15	330538



3L02

3/4" SPDT Controls

Model Number	Terminal 1 & 3 Open on Rise		Terminal 1 & 2 Close on Rise		Function	Therm-o-Disc	
	Opens (°F)	Closes (°F)	Opens (°F)	Closes (°F)		Style	Type
3L03-140	140 ± 5°F	120 ± 5°F	120 ± 5°F	140 ± 5°F	SPDT	60T13	611015
3L03-190	190 ± 5°F	170 ± 5°F	170 ± 5°F	190 ± 5°F	SPDT	60T13	611014



3L03-140



3L03-190

Common Electrical Ratings

	Load	120VAC	240VAC	277VAC
		Terminals 1 & 3 SPST or SPDT Open on Rise	Resistive	25.0A
	Inductive	14.0FLA-72.0LRA	10.0FLA-60.0LRA	-
	Pilot Duty	480VA	480VA	125 VA
Terminals 1 & 2 SPDT Close on Rise	Resistive	-	-	-
	Inductive	5.8FLA-34.8LRA	2.9FLA-17.4LRA	-
	Pilot Duty	125VA	125VA	125VA

The Best Product at the Best Value

- Disc thermostats are stocked
- Ask your Stancor representative for technical assistance



Applications

Bimetal Disc Thermostat

- Coffee Makers
- Dishwashers
- Electric Heaters
- Ovens
- Gas Furnaces
- Fireplaces
- Electric Signs
- Farm Feeders
- Greenhouses
- Pool Systems
- Spas
- Security Systems
- Business Machines

Features

Snap Disc Fan and Limit Controls

- Designed for quick on-job replacement
- Easy to remember type numbers – “L” for Limit – “F” for Fan
- Last three numbers indicate open temperatures on limit and close temperatures on fan controls
- Mounting holes match standard 3/4" snap discs

Manual Reset - Limit Controls

- Available with electrical contacts which open on temperature rise (SPST).

Adjustable Snap Disc Fan & Limit Controls

- 1/4" quick connect terminals are standard
- Reduces inventory while providing coverage for a wide range of temperature applications
- Replaces the majority of fixed disc thermostats now on heating equipment and various appliances
- 2 adjustable fan control models replace 7 fixed snap disc models
- 5 adjustable limit control models replace 10 fixed snap disc models

Advantages

Bimetal Disc Thermostat

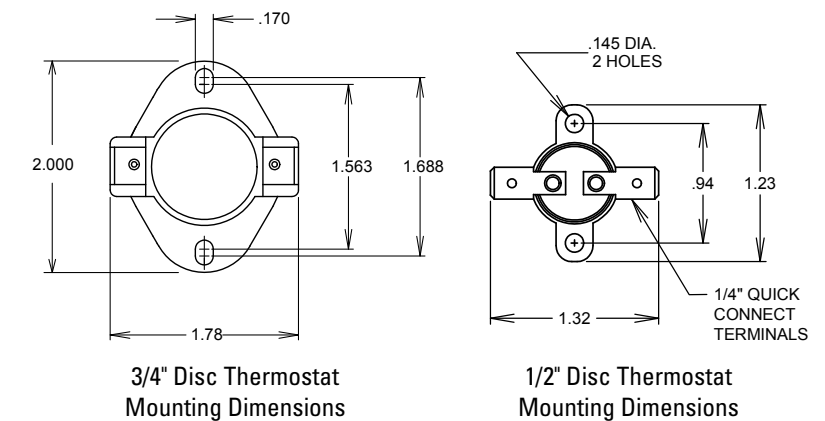
- Proven reliability in a compact, versatile, cost-effective design
- High speed contact separation provides long contact life
- Statistical process control of manufacturing assures high product quality levels
- Controls are 100% operation checked

1/2" Bimetal / Snap Action Disc Thermostats

- Loose ring, stainless mounting brackets
- 1/4" quick connect termination
- Automatic reset
- Enclosed Disc
- Aluminum Disc Cup

Board Mount Limit Controls

- Proven reliability in a compact, versatile, cost-effective design
- Provides high-speed contact separation





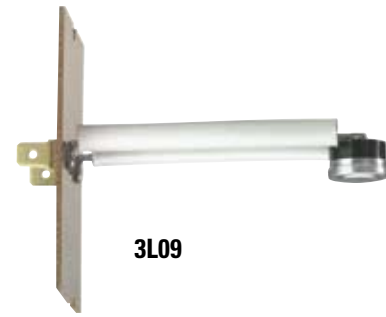
STC-100

1/2" Snap Action Disc Thermostats Operating Specifications

Stancor Part Number	Opens (°F)	Closes (°F)	Function	Therm-o-Disc	
				Type	Style
STO-60	60 ± 5°F	40 ± 6°F	Open on Rise	36T21	10842
STO-85	85 ± 5°F	70 ± 6°F	Open on Rise	36T21	10843
STC-100	70 ± 5°F	100 ± 7°F	Close on Rise	36T22	10844
STO-110	110 ± 5°F	80 ± 7°F	Open on Rise	36T21	10845
STO-120	120 ± 5°F	90 ± 8°F	Open on Rise	36T21	10846
STC-120	90 ± 8°F	120 ± 7°F	Close on Rise	36T22	10847
STO-140	140 ± 7°F	110 ± 8°F	Open on Rise	36T21	10848
STC-140	110 ± 5°F	140 ± 7°F	Close on Rise	36T22	10849
STO-150	150 ± 5°F	120 ± 8°F	Open on Rise	36T21	10850
STO-160	160 ± 5°F	130 ± 8°F	Open on Rise	36T21	10851
STO-170	170 ± 5°F	140 ± 8°F	Close on Rise	36T22	10853
STC-170	140 ± 5°F	170 ± 8°F	Close on Rise	36T22	10853
STO-175	175 ± 5°F	160 ± 6°F	Open on Rise	36T21	10855
STO-180	180 ± 5°F	150 ± 8°F	Open on Rise	36T21	10854
STC-180	150 ± 5°F	180 ± 8°F	Close on Rise	36T22	10856
STO-190	190 ± 5°F	160 ± 8°F	Open on Rise	36T21	10857
STO-210	210 ± 5°F	180 ± 8°F	Open on Rise	36T21	10858
STO-220	220 ± 6°F	190 ± 8°F	Open on Rise	36T21	10859
STC-225	195 ± 5°F	225 ± 8°F	Close on Rise	36T22	10860
STO-230	230 ± 6°F	200 ± 8°F	Open on Rise	36T21	10861
STC-240	140 ± 11°F	240 ± 11°F	Close on Rise	36T22	10862
STO-250	250 ± 6°F	220 ± 10°F	Open on Rise	36T21	10863
STO-325	325 ± 10°F	275 ± 15°F	Open on Rise	36T21	10864

Common Ratings

Load	120 VAC	240 VAC
Resistive	15 Amps	10A
Inductive	3.0 FLA-12.0LRA	1.5AFL-6.0LRA
Pilot Duty	125VA	125VA



3L09

Board Mount Limit Controls 1/2" Snap Action Disc Thermostat

Model Number	Opens (°F)	Closes (°F)	Function	Therm-o-Disc	
				Type	Style
3L09-1	140 ± 5°F	100 ± 8°F	Open on Rise	36T01B2	612700
3L09-2	170 ± 5°F	130 ± 8°F	Open on Rise	36T01B2	612708
3L09-3	140 ± 5°F	110 ± 8°F	Open on Rise	36T01B2	612701
3L09-4	150 ± 5°F	130 ± 8°F	Open on Rise	36T01B2	612703
3L09-5	160 ± 5°F	140 ± 8°F	Open on Rise	36T01B2	612706
3L09-6	170 ± 5°F	130 ± 8°F	Open on Rise	36T01B2	612710
3L09-7	175 ± 5°F	145 ± 8°F	Open on Rise	36T01B2	612711
3L09-8	180 ± 6°F	140 ± 6°F	Open on Rise	36T01B2	612714
3L09-9	190 ± 5°F	170 ± 8°F	Open on Rise	36T01B2	612715
3L09-10	200 ± 6°F	160 ± 9°F	Open on Rise	36T01B2	612718
3L09-11	210 ± 6°F	180 ± 9°F	Open on Rise	36T01B2	612719
3L09-12	220 ± 6°F	170 ± 9°F	Open on Rise	36T01B2	612722
3L09-13	240 ± 6°F	210 ± 10°F	Open on Rise	36T01B2	612723
3L09-14	250 ± 7°F	210 ± 11°F	Open on Rise	36T01B2	612725
3L09-15	260 ± 6°F	230 ± 10°F	Open on Rise	36T01B2	612727
3L09-16	150 ± 5°F	130 ± 8°F	Open on Rise	36T01B2	612704
3L09-17	250 ± 6°F	225 ± 9°F	Open on Rise	36T01B2	612726
3L09-18	155 ± 5°F	125 ± 8°F	Open on Rise	36T01B2	612705
3L09-19	175 ± 5°F	145 ± 8°F	Open on Rise	36T01B2	612712
3L09-20	240 ± 6°F	210 ± 10°F	Open on Rise	36T01B2	612724
3L09-22	160 ± 5°F	140 ± 8°F	Open on Rise	36T01B2	612707
3L09-23	170 ± 5°F	150 ± 8°F	Open on Rise	36T01B2	612709
3L09-24	190 ± 5°F	170 ± 8°F	Open on Rise	36T01B2	612716
3L09-25	200 ± 5°F	180 ± 8°F	Open on Rise	36T01B2	612717
3L09-26	180 ± 5°F	160 ± 8°F	Open on Rise	36T01B2	612713
3L09-27	220 ± 5°F	200 ± 8°F	Open on Rise	36T01B2	612721
3L09-28	210 ± 6°F	180 ± 9°F	Open on Rise	36T01B2	612720

The thermostat is mounted on extension straps, for applications where the thermostat must extend further into the air stream to sense adequately. Available with a variety of strap lengths and board configurations.



3F05

3/4" Adjustable Snap Disc Fan & Limit Controls

Model Number	Temperature Range	Differential	Function	Therm-o-Disc	
				Style	Type
3F05-1	90 to 130°F	20°F	Fan Controls (Close on Rise)	74T12	310708
3F05-2	140 to 180°F	20°F		74T12	310709
3L05-1	135 to 175°F	40°F	Limit Controls (Open on Rise)	74T11	310710
3L05-2	175 to 215°F	40°F		74T11	310711
3L05-3	210 to 250°F	40°F		74T11	310712
3L05-10	135 to 175°F	20°F		74T11	310724
3L05-13	250 to 290°F	40°F		74T11	310730

Electrical Ratings

Load	120 VAC	240 VAC
Resistive	25.0A	25.0A
Inductive	14.0FLA-72.0LRA	10.0FLA-60.0LRA
Pilot Duty	125 VA	125 VA

3/4" Snap Disc Fan Controls

Model Number	Opens (°F)	Closes (°F)	Function	Therm-o-Disc	
				Style	Type
3F01-110	90° ± 5°F	110° ± 5°F	Close on Rise	60T12	610044
3F01-120	110° ± 5°F	120° ± 5°F	Close on Rise	60T12	610046
3F01-130	115° ± 5°F	130° ± 5°F	Close on Rise	60T12	610047
3F01-140	120° ± 6°F	140° ± 5°F	Close on Rise	60T12	610049
3F01-150	130° ± 6°F	150° ± 5°F	Close on Rise	60T12	610050
3F01-160	140° ± 6°F	160° ± 5°F	Close on Rise	60T12	610064
3F01-180	160° ± 5°F	180° ± 5°F	Close on Rise	60T12	610065
3F01-200	180° ± 5°F	200° ± 5°F	Close on Rise	60T12	610066
3F01-350	320° ± 8°F	350° ± 12°F	Close on Rise	60T12	610067

Electrical Ratings

Load	120 VAC	240 VAC	277 VAC
Resistive	25.0A	25.0A	12.5A
Inductive	14.0FLA-72.0LRA	10.0FLA-60.0LRA	-
Pilot Duty	480VA	480VA	125 VA